

BUILDING AUTOMATION
CONTROL TECHNOLOGY
SENSOR TECHNOLOGY

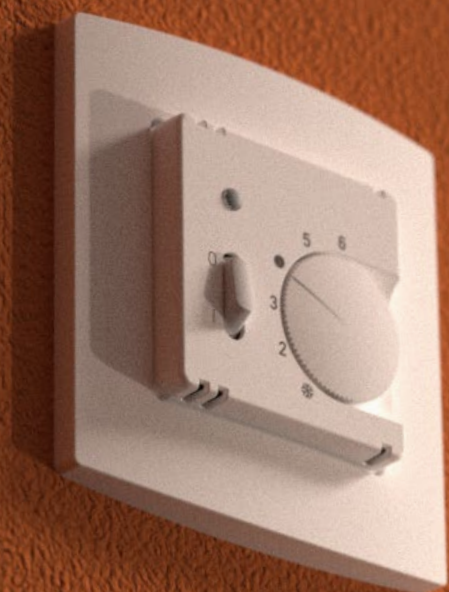
alre



RTERU

The floor heating controller.

SIMPLY COZY. **OUR NEW ELECTRONIC RTERU.**



FETR becomes RTERU.
Familiar quality, optimised design

The new electronic flush-mounted temperature controller with a remote sensor is the successor model of the previous FETR. The RTERU features easier and faster installation thanks to plug-in screw-type terminals and complies with the EN50559 standard for underfloor heating.

- + Temperature control of electric or hot water heaters / additional heaters for floors and other surface temperature control systems such as edge zone, bathroom, ceiling, tiled stove, marble and wall heaters or temperature control systems.
- + Sensor: external 2K NTC (HF-8/4-K2 is part of the scope of delivery)
- + available in different versions
- + Sensor rupture and short-circuit safeguard (heating is switched off), mech. Range limitation, switch 'ON/OFF', lamp red 'heating' / 'sensor error'; Control range: 10... 50 °C, 2300W switching power, 230V/Hz; 10 (A) Characteristic scale *... 6; T40
- + Cover versions: 50x50 mm, 55x55 mm and 70x70 mm
- + heating time interruption after 1 h for 5 min

EASIER INSTALLATION.
**PLUG-IN SCREW-TYPE
TERMINALS FOR QUICK
AND EASY WIRING**



USUAL QUALITY & VERSATILITY.

HIGH QUALITY
TECHNOLOGY



FITS IN ANY
SWITCH ENVIRONMENT

ADAPTS TO ANY SWITCH ENVIRONMENT.

Our flush-mounted range has been specially designed to fit into any standard switch frame.

All versions also fit into multiple frames and are available on request in the colours anthracite and aluminium.

JUNG

Adaptation example



GIRA

Adaptation example



BERKER

Adaptation example



BUSCH JAEGER

Adaptation example

ELSO

Adaptation example

MERTEN

Adaptation example

All versions also fit into multiple frames and are available on request in the colours anthracite and aluminium.



ELECTRONIC FLOOR TEMPERATURE CONTROLLER WITH REMOTE SENSOR (FOR FLOOR HEATING / WALL AND CEILING HEATING) FETR / RTERU

FLUSH-MOUNTED INSTALLATION – DESIGN BERLIN UP



TECHNICAL DATA

| | |
|---|---|
| Design: | Berlin UP |
| Housing material: | PC plastic (FETR) PA6 plastic (RTERU) |
| Operating voltage: | 230 V AC, 50 Hz |
| Storage temperature: | -20 ... +70 °C |
| Permissible atmospheric humidity: | Max. 95% rel. humidity, non-condensing |
| Electrical connection: | screw-type terminals (FETR) pluggable screw terminals |
| Mounting / attachment: | In flush-mounted socket – with suitable cover set, can be adapted to fit virtually any switch range (deep flush-mounted socket recommended) see adaptation list |
| Protection rating: | IP30 |
| Protection class: | II, if properly mounted |
| Safety and EMC: | according to DIN EN 60730 |
| Max. switching voltage: | 230 V AC, 50 Hz |
| Min. switching voltage: | 230 V AC, 50 Hz |
| Switching element: | relay |
| Switching contact: | NO contact |
| Output signal: | switching (230 VAC, 50 Hz) |
| Sensor: | external or internal/external (monitors) |
| Sensor type (external): | HF-8 / 4-K2 |
| Sensor rupture and short-circuit protection: | heating is switched off |
| Sensor wire extendible up to: | 50 m with min. 0.5 mm ² double-insulated |
| Control function: | Heating |
| Hysteresis: | <1 K (FETR) 1.5 K (RTERU) |
| General features: | ECO function; 'reduction' display (FETR); 'heating' display |
| Input 'temperature reduction': | approx. 5 K (230 VAC, 50 Hz) |

APPLICATION

Temperature control (e.g., of electrical heating systems) for floor, fringe zone, bathroom, ceiling, tiled stove, marble and wall heating systems or tempering systems, direct floor heating systems.

Reduction: With these flush-mounted controllers, the temperature can be reduced by 5 K. For this purpose, potential is applied to the clock input terminal by an external pilot controller or an external timer L1.

Note: The sensor line must be routed in a protective duct. Parallel routing together with lines that carry alternating currents is not admissible.

The 55x55 mm variants visually fit perfectly without an insert frame in many switch ranges of 55x55 mm.

Using an insert frame, the 50x50 mm variants fit in almost all switch ranges.

See catalog for an overview of possible combinations and insert frames.

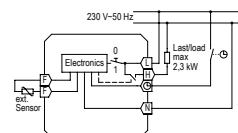
| TYPE / IMAGE | ITEM NO. | FEATURES | CIRCUIT DIAGRAM | EURO / PG |
|--------------|----------|----------|-----------------|-----------|
|--------------|----------|----------|-----------------|-----------|

RTERU-010.715#00

UN110100



General features: floor temperature controller; mechanical range limitation; on / off switch; external setting; protective cap; contact hazard protection cover plate; Multi-digit display *~6
Ambient temperature: 0 to 35 °C
Max. switching current: 10 (1.5) A
Switching power: 2300 W
Control range: 10 to 50 °C
Scope of delivery: controller, remote sensor 4 m
 Cover sets are offered in various designs (see the separate overview, 'alre flush-mounted range (cover sets)') and are not included in the delivery.
Suitable set no.: JZ-035.xxx, for example:
 cover set 50x50 mm, pure white, glossy: JZ-035.000
 55x55 mm cover set, pure white, gloss: JZ-035.100



RTERU-010.715#21

UN110109


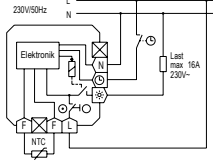

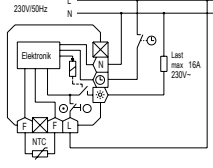








Like RTERU-010.715#00 but **scope of delivery as follows:**
 controller, 4 m remote sensor, alre frame 'Berlin' (neutral), 50x50 mm cover, pure white (like RAL 9010), glossy



ELECTRONIC FLOOR TEMPERATURE CONTROLLER WITH REMOTE SENSOR (FOR FLOOR HEATING / WALL AND CEILING HEATING) FETR / RTERU


FLUSH-MOUNTED INSTALLATION – DESIGN BERLIN UP

| TYPE/IMAGE | ITEM NO. | FEATURES | CIRCUIT DIAGRAM | EURO/PG |
|---|----------|--|---|---------|
|  | UN030000 | <p>General features: Floor temperature controllers; internal setting; multi-digit display 1–6</p> <p>Ambient temperature: 0 to 40 °C</p> <p>Max. switching current: 16 (2) A</p> <p>Switching power: 3680 W</p> <p>Control range: 10 to 60 °C</p> <p>Scope of delivery: controller, remote sensor 4 m, cover 50x0 mm, pure white (like RAL 9010), glossy</p> |  | |
|  | UA030119 | <p>General features: Floor temperature controller; mechanical range limitation; 'on / off' switch; external setting; protective cap; contact hazard protection cover plate; multi-digit display 1–5</p> <p>Ambient temperature: 0 to 40 °C</p> <p>Max. switching current: 16 (2) A</p> <p>Switching power: 3680 W</p> <p>Control range: 10 to 50 °C</p> <p>Scope of delivery: controller, remote sensor 4 m</p> <p>Cover sets are offered in various designs (see the separate overview, 'alre flush-mounted range (cover sets)') and are not included in the delivery.</p> <p>Suitable set no.: JZ-005.xxx, for example.: cover set 50x50 mm, pure white, glossy: JZ-005.000 cover set 55x55 mm, pure white, glossy: JZ-005.100</p> |  | |
|  | UN030109 | <p>like FETR 101.715#00, but with scope of delivery: controller, remote sensor 4 m, alre frame 'Berlin' (neutral), cover 50x50 mm, pure white (like RAL 9010), glossy</p> | | |
|  | UA030502 | <p>like FETR 101.715#00, but with control range 10 to 42 °C (multi-digit display 1 to 4)</p> <p>Cover sets are offered in various designs (see the separate overview, 'alre flush-mounted range (cover sets)') and are not included in the delivery.</p> <p>Suitable set no.: JZ-009.xxx, e.g.,: cover set 50x50 mm, pure white, glossy: JZ-009.000 cover set 55x55 mm, pure white, glossy: JZ-009.100 Complete device with alre frame 'Berlin' (neutral), 50x50 mm cover (pure white, like RAL 9010, glossy) upon request.</p> | | |
| ACCESSORIES | ITEM NO. | FEATURES | | EURO/PG |
|  | G8000370 | <p>General features: Spare sensor for RTERU / FETR 101.7xx</p> <p>Ambient temperature: –5 to +70 °C</p> <p>Protection rating: IP65</p> <p>Sensor: NTC</p> <p>Connecting cable: 4 m, PVC</p> | | |
|  | G8000368 | <p>General features: Spare sensor for RTERU / FETR 101.7xx</p> <p>Ambient temperature: –5 to +70 °C</p> <p>Protection rating: IP65</p> <p>Sensor: NTC</p> <p>Connecting cable: 6 m, PVC</p> | | |
|  | G9990180 | <p>General features: Heat conduction paste 2 ml; $R > 1 \text{ T}\Omega / \text{cm}$, silicone-free</p> <p>Ambient temperature: –40 to +150 °C</p> | | |
|  | C1809515 | <p>General features: protective sleeve for screed mounting (for sleeve sensor HF \varnothing 7.7, for example, HF-8 / 4-K2 or HF-8 / 6-K2), copper</p> | | |



ELECTRONIC FLOOR TEMPERATURE CONTROLLER WITH REMOTE SENSOR (FOR FLOOR HEATING / WALL AND CEILING HEATING) FETR / RTERU

FLUSH-MOUNTED INSTALLATION – DESIGN BERLIN UP

| ACCESSORIES | ITEM NO. | FEATURES | EURO/PG |
|---|------------|---|---------|
|  | JZ-090.900 | VV000025 General features: alre frame 'Berlin' (neutral) for all flush-mounted controllers with cover 50x50 mm Design: Berlin Surface finish: Glossy Colour: Pure white, like RAL 9010 Material: PC plastic | |
| | JZ-090.910 | VV000010 Like JZ-090.900 but with pearl white colour similar to RAL 1013 | |
| | JZ-090.100 | VV000048 like JZ-090.900, but for all flush-mounted controllers in combination with 55x55 mm cover | |

ALRE FLUSH-MOUNTED RANGE (COVER SETS)

ALL BASIC TYPES AND SUITABLE COVER SETS **50 X 50 MM** /B-J REFLEX SI/SI LINEAR

| BASIC TYPE | 50x50 mm cover set PURE WHITE (RAL 9010) GLOSSY (JZ-xxx.000) | | 50x50 mm cover set PURE WHITE (RAL 9010) MATT (JZ-xxx.001) | | 50x50 mm cover set PEARL WHITE (RAL 1013) GLOSSY (JZ-xxx.010) | | EURO/PG | |
|------------------|---|----------|--|----------|---|---|----------|-------------|
| | Cover set | Item no. | Cover set | Item no. | Cover set | Item no. | | |
| FETR 101.715#00 | JZ-005.000 | UN990003 | JZ-005.001 | UN990006 | JZ-005.010 | UN990009 | | |
| FETR 101.716#00 | JZ-009.000 | UN990004 | JZ-009.001 | UN990007 | JZ-009.010 | UN990010 | | |
| RTERU 010.715#00 | JZ-035.000 | UN990169 | JZ-035.001 | UN990193 | JZ-035.010 | UN990177 | | |
| BASIC TYPE | 50x50 mm cover set TRAFFIC/STUDIO WHITE (RAL 9016) GLOSSY (JZ-xxx.020) | | 50x50 mm cover set TRAFFIC WHITE (RAL 9016) MATT (JZ-xxx.021) | | EURO/ PG | BUSCH-JAEGER cover set REFLEX SI/SI LINEAR PURE WHITE (RAL 9010) GLOSSY (JZ-xxx.200 /BJ) | | EURO/ PG |
| | Cover set | Item no. | Cover set | Item no. | | Cover set | Item no. | |
| FETR 101.715#00 | JZ-005.020 | UN990075 | JZ-005.021 | UN990104 | | – | – | |
| FETR 101.716#00 | JZ-009.020 | UN990076 | JZ-009.021 | UN990106 | | – | – | |
| RTERU 010.715#00 | JZ-035.020 | UN990185 | JZ-035.021 | UN990201 | | JZ-035.200 / BJ | G9990499 | |

In flush-mounted socket, it can be adapted to fit virtually any switch range.

ALL BASIC TYPES AND SUITABLE COVER SETS **55 X 55 MM**

| BASIC TYPE | 55x55 mm cover set PURE WHITE (RAL 9010) GLOSSY (JZ-xxx.100) | | 55x55 mm cover set PURE WHITE (RAL 9010) MATT (JZ-xxx.101) | | 55x55 mm cover set PEARL WHITE (RAL 1013) GLOSSY (JZ-xxx.110) | | EURO/PG |
|------------------|--|----------|--|---|---|-------------|---|
| | Cover set | Item no. | Cover set | Item no. | Cover set | Item no. | |
| FETR 101.715#00 | JZ-005.100 | UN990012 | JZ-005.101 | UN990015 | JZ-005.110 | UN990018 | |
| FETR 101.716#00 | JZ-009.100 | UN990013 | JZ-009.101 | UN990016 | JZ-009.110 | UN990019 | |
| RTERU 010.715#00 | JZ-035.100 | UN990173 | JZ-035.101 | UN990197 | JZ-035.110 | UN990181 | |
| BASIC TYPE | 55x55 mm cover set TRAFFIC/STUDIO WHITE (RAL 9016) GLOSSY (JZ-xxx.120) | | EURO/ PG | 55x55 mm cover set ANTHRACITE, MATT FOR GIRA (JZ-xxx.141) | | EURO/ PG | SPECIAL COLOURS AS WELL AS THE COLOURS ANTHRACITE AND ALUMINIUM ARE AVAILABLE UPON REQUEST. |
| | Cover set | Item no. | | Cover set | Item no. | | |
| FETR 101.715#00 | JZ-005.120 | UN990091 | | | | | |
| FETR 101.716#00 | JZ-009.120 | UN990092 | | JZ-009.141/GI | UN990122 | | |
| RTERU 010.715#00 | JZ-035.120 | UN990189 | | JZ-035.141/GI | UN990205 | | |

ALL BASIC TYPES AND SUITABLE COVER SETS **70 X 70 MM**

| BASIC TYPE | 70x70 mm cover set PURE WHITE (RAL 9010) GLOSSY (JZ-xxx.400) | | 70x70 mm cover set PEARL WHITE (RAL 1013) GLOSSY (JZ-xxx.410) | | EURO/ PG | 70x70 mm cover set TRAFFIC/STUDIO WHITE (RAL 9016) GLOSSY (JZ-xxx.420) | | EURO/ PG |
|------------------|--|----------|---|----------|-------------|--|----------|-------------|
| | Cover set | Item no. | Cover set | Item no. | | Cover set | Item no. | |
| RTERU 010.715#00 | JZ-035.400w | UN990143 | JZ-035.401 | UN990147 | | JZ-035.420 | UN990151 | |



ADAPTATION OF ALRE FLUSH-MOUNTED CONTROLLERS

| MANUFACTURER | RANGE | COLOUR RAL 9010 (surface finish) | ADAPTATION possible with '55x55' or '70x70' cover set (without insert frame) | '50x50' adaptation possible with... (insert frame from manufacturer required) |
|----------------------------|---|--|---|--|
| BERKER | S.1 | polar white (matt) | x | 1109 19 19 |
| BERKER | S.1 | polar white (glossy) | x | 1109 90 89 |
| BERKER | Arsys | polar white (glossy) | | 1108 01 69 |
| BERKER | B.3 | aluminium / polar white (matt) | x | 1109 19 19 |
| BERKER | B.3 | aluminium / polar white (glossy) | x | 1109 90 89 |
| BERKER | B.7 | glass / polar white (matt) | x | 1109 19 19 |
| BERKER | B.7 | glass / polar white (glossy) | x | 1109 90 89 |
| BERKER | Q.1 / Q.3 | polar white (velvet) | | 1109 60 79 |
| BERKER | K.1 | polar white (glossy) | | 1108 71 09 |
| BUSCH-JAEGER | Reflex SI / SI Linear | alpine white (glossy) | | 1746-214-101 |
| BUSCH-JAEGER | Busch-balance SI | alpine white (glossy) | x | 1746-914-101 |
| BUSCH-JAEGER | impuls | alpine white (glossy) | | 1746 / 10-74 |
| BUSCH-JAEGER | solo / future / axcent etc. | studio white – see RAL 9016 below | | |
| EIso | Joy | pure white (glossy) | x | 363084 |
| EIso | Fashion / Riva / Scala | pure white (glossy) | | 203084 |
| GIRA | surface switch | pure white (glossy) | x | 0282 112 |
| GIRA (System 55) | Standard / E2 | pure white (semi-gloss) | x | 0282 27 |
| GIRA (System 55) | Standard / E2 | pure white (glossy) | x | 0282 03 |
| GIRA (System 55) | E22 | pure white (glossy) | x | 0282 03 |
| GIRA (System 55) | Event | pure white (semi-gloss) + opaque ... | x | 0282 27 |
| GIRA (System 55) | Event | pure white (glossy) + opaque ... | x | 0282 03 |
| GIRA (System 55) | Esprit | pure white (semi-gloss) + glass, aluminium ... | x | 0282 27 |
| GIRA (System 55) | Esprit | pure white (glossy) + glass, aluminium ... | x | 0282 03 |
| GIRA | S-Color | pure white (high-gloss) | | 0282 40 |
| JUNG | CD 500 / CD plus | alpine white (glossy) | | CD 590 Z WW |
| JUNG | A 500 / AS 500 / A plus | alpine white (glossy) | x | A 590 Z WW |
| JUNG | LS 990 | alpine white (glossy) | x | LS 961 Z WW |
| JUNG | LS plus | alpine white (glass) | x | LS 961 Z WW |
| JUNG | A creation | alpine white (glossy) | x | A 590 Z WW |
| JUNG | LS Design | alpine white (glossy) | x | LS 961 Z WW |
| MERTEN (System M) | M-Smart, M-Plan, M-Pure | polar white (matt) | x | 5181 19 |
| MERTEN (System M) | M-Smart, M-Plan, M-Creativ, M-Pure | polar white (glossy) | x | 5185 19 |
| MERTEN (System Basis) | 1-M / Atelier-M | polar white (glossy) | x | 5185 19 |
| MERTEN (Surface System) | Artec / Antik | polar white (glossy) | | 5160 99 |
| MERTEN | 1-M / M-Smart / M-Plan / M-Pure / D-Life | active white – see RAL 9016 below or product finder | | |
| PEHA | Standard | pure white (glossy) | | 80.670.02 ZV |
| PEHA | Dialog | pure white (glossy) | | 95.670.02 ZV |
| PEHA | Aura | pure white (matt) / glass | | 20.670.02 ZV |
| PEHA | Badora | pure white (glossy) | | 11.670.02 ZV |

| MANUFACTURER | RANGE | COLOUR RAL 9016 (surface finish) | ADAPTATION in switch programmes (‘55x55’ or ‘70x70’) possible with... | ‘50x50’ adaptation possible with ... (insert frame from switch manu- facturer required) |
|--------------|-------------------------------|-------------------------------------|--|--|
| BUSCH-JAEGER | solo / future / future linear | studio white (RAL 9016, glossy) | | 1746 / 10-84 |
| BUSCH-JAEGER | future linear | studio white (RAL 9016 matt) | | 1746 / 10-884 |
| BUSCH-JAEGER | impuls | studio white (RAL 9016 matt) | | 1746 / 10-774 |
| BUSCH-JAEGER | axcent | studio white (RAL 9016, glossy) | | 1746 / 10-84 |
| BUSCH-JAEGER | carat (glass, bronze, gold) | studio white (RAL 9016, glossy) | | 1746 / 10-84 |
| BUSCH-JAEGER | alpha (nea / exclusive *) | studio white (RAL 9016, glossy) | | 1746 / 10-24G |
| BUSCH-JAEGER | alpha (nea / exclusive *) | studio white (RAL 9016 matt) | | 1746 / 10-24 |
| MERTEN | M-Smart, M-Plan, M-Pure | active white (RAL 9016, glossy) | x | 5185 25 |
| MERTEN | 1-M / Atelier-M | active white (RAL 9016, glossy) | x | 5185 25 |
| MERTEN | D-Life | lotus white (RAL 9016) | x | MEG4500-6035 |
| PEHA | Standard | arctic | | D 80.670 ZV AW |

*) During assembly, you need to remove 4 plastic tabs located at the rear of the frame

**PRODUCT FINDER ALRE COVER SETS**

FOR SWITCH RANGES FROM BERKER

INTEGRATION EXAMPLES

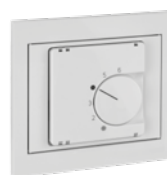
RTERU – in S. 1



RTERU – in B. 3



RTERU – in B. 7



RTERU – in K. 1



RTERU – in Arsys

| TYPE ALRE | BERKER RANGE | COLOUR (RAL)/ SURFACE FINISH | ALRE COVER SET | COVER SET ART. NO. | INSERT FRAME 50X50* | EURO/ PG |
|---|------------------|---------------------------------|-------------------------------|---------------------------|---------------------------|--------------|
|  Standard | RTERU-010.715#00 | S. 1cB. 3/B. 7 | polar white (RAL 9010) glossy | JZ-035.100 (55x55 glossy) | UN990173 | not required |
| | | S. 1/B. 3/B. 7 | polar white (RAL 9010) matt | JZ-035.101 (55x55 matt) | UN990197 | not required |
| | | Arsys | polar white (RAL 9010) glossy | JZ-035.000 (50x50 glossy) | UN990169 | 1108 01 69 |
| | | Q. 1/Q. 3 | polar white (RAL 9010) velvet | JZ-035.001 (50x50 matt) | UN990193 | 1109 60 79 |
| | | K. 1 | polar white (RAL 9010) glossy | JZ-035.000 (50x50 glossy) | UN990169 | 1108 71 09 |
| | | S. 1 | white (RAL 1013) glossy | JZ-035.110 (55x55 glossy) | UN990181 | not required |
| | Arsys | white (RAL 1013) glossy | JZ-035.010 (50x50 glossy) | UN990177 | 1108 01 02 | |

PRODUCT FINDER ALRE COVER SETS

FOR SWITCH RANGES FROM BUSCH-JAEGER

INTEGRATION EXAMPLES

RTERU – in Reflex SI

RTERU – in Busch-
balance SI


RTERU – in future linear



RTERU – in solo



RTERU – in alpha nea

| TYPE ALRE | BUSCH-JAEGER RANGE | COLOUR (RAL)/ SURFACE FINISH | ALRE COVER SET | COVER SET ART. NO. | INSERT FRAME 50X50* | EURO/ PG |
|---|-----------------------|--|--------------------------------|---------------------------|---------------------------|--------------|
|  Standard | RTERU-010.715#00 | Reflex SI/SI Linear | alpine white (RAL 9010) glossy | JZ-035.200/BJ | UN990169 | 1746-214-101 |
| | | Busch-balance SI | alpine white (RAL 9010) glossy | JZ-035.100 (55x55 glossy) | UN990173 | not required |
| | | impuls | alpine white (RAL 9010) glossy | JZ-035.000 (50x50 glossy) | UN990169 | 1746/10-74 |
| | | future linear / solo / ax- cent / carat | studio white (RAL 9016) glossy | JZ-035.020 (50x50 glossy) | UN990185 | 1746/10-84 |
| | | future linear | studio white (RAL 9016) matt | JZ-035.021 (50x50 matt) | UN990201 | 1746/10-884 |
| | | alpha nea | studio white (RAL 9016) glossy | JZ-035.020 (50x50 glossy) | UN990185 | 1746/10-24G |
| | | alpha nea | studio white (RAL 9016) matt | JZ-035.021 (50x50 matt) | UN990201 | 1746/10-24 |
| | | Duro 2000 SI/SI Linear | white (RAL 1013) glossy | JZ-035.010 (50x50 glossy) | UN990177 | 1746-212-101 |
| | | future linear / solo / carat | ivory white (RAL 1013) glossy | JZ-035.010 (50x50 glossy) | UN990177 | 1746/10-82 |
| | | alpha nea | ivory white (RAL 1013) glossy | JZ-035.010 (50x50 glossy) | UN990177 | 1746/10-22G |
| | | impuls | ivory white (RAL 1013) glossy | JZ-035.010 (50x50 glossy) | UN990177 | 1746/10-72 |



PRODUCT FINDER ALRE COVER SETS

FOR SWITCH RANGES FROM ELSO

INTEGRATION EXAMPLES



RTERU – in Joy




RTERU – in Fashion



RTERU – in Riva



RTERU – in Scala

| TYPE ALRE | ELSO RANGE | COLOUR (RAL)/ SURFACE FINISH | ALRE COVER SET | COVER SET ART. NO. | INSERT FRAME 50X50* | EURO/ PG |
|---|--------------------|---------------------------------|---------------------------|-----------------------|---------------------------|-------------|
|  | Joy | pure white (RAL 9010) glossy | JZ-035.100 (55x55 glossy) | UN990173 | not required | |
| | Joy | pearl white (RAL 1013) glossy | JZ-035.110 (55x55 glossy) | UN990181 | not required | |
| | Fashion/Riva/Scala | pure white (RAL 9010) glossy | JZ-035.000 (50x50 glossy) | UN990169 | 203084 | |
| | Fashion/Riva/Scala | pearl white (RAL 1013) glossy | JZ-035.010 (50x50 glossy) | UN990177 | 203080 | |

Standard

PRODUCT FINDER ALRE COVER SETS

FOR SWITCH RANGES FROM GIRA

INTEGRATION EXAMPLES



RTERU – in
Standard 55



RTERU – in E2



RTERU – in Event



RTERU – in surface
switch



RTERU – in E22

| TYPE ALRE | GIRA RANGE | COLOUR (RAL)/ SURFACE FINISH | ALRE COVER SET | COVER SET ART. NO. | INSERT FRAME 50X50* | EURO/ PG |
|---|--------------------------------------|---------------------------------|----------------------------|-----------------------|---------------------------|-------------|
|  | Standard 55/E2/ E22/Event/Esprit | pure white (RAL 9010) glossy | JZ-035.100 (55x55 glossy) | UN990173 | not required | |
| | Standard 55/E2/ E22/Event/Esprit | pure white (RAL 9010) matt | JZ-035.101 (55x55 matt) | UN990197 | not required | |
| | Surface switch NEW | pure white (RAL 9010) glossy | JZ-035.400 (70x70, glossy) | UN990143 | not required | |
| | Standard 55/Event/ Esprit/ClassiX | cream white (RAL 1013) glossy | JZ-035.110 (55x55 glossy) | UN990181 | not required | |
| | System 55 | anthracite / matt | JZ/-035.141/GI | UN990205 | not required | |

Standard

**PRODUCT FINDER ALRE COVER SETS**

FOR SWITCH RANGES FROM JUNG

INTEGRATION EXAMPLES

RTERU – in AS 500



RTERU – in A 500



RTERU – in A plus



RTERU – in A creation



RTERU – in LS-design

NEW

| TYPE ALRE | JUNG RANGE | COLOUR (RAL)/ SURFACE FINISH | ALRE COVER SET | COVER SET ART. NO. | INSERT FRAME 50X50* | EURO/ PG |
|--|------------------|--|--------------------------------|----------------------------|---------------------------|--------------|
|  Standard) | RTERU-010.715#00 | AS 500 / A 500 / A 550 / A creation / A plus / A flow | alpine white (RAL 9010) glossy | JZ-035.100 (55x55 glossy) | UN990173 | not required |
| | | CD 500 / CD plus | alpine white (RAL 9010) glossy | JZ-035.000 (50x50 glossy) | UN990169 | CD 590 Z WW |
| | | LS 990 / LS design / LS plus | alpine white (RAL 9010) glossy | JZ-035.400 (70x70, glossy) | UN990143 | not required |
| | | AS 500 | white (RAL 1013) glossy | JZ-035.110 (55x55 glossy) | UN990181 | not required |
| | | CD 500 / CD plus | white (RAL 1013) glossy | JZ-035.010 (50x50 glossy) | UN990177 | 590 Z |
| | | LS 990 / LS design / LS plus | white (RAL 1013) glossy | JZ-035.410 (70x70 glossy) | UN990147 | not required |

PRODUCT FINDER ALRE COVER SETS

FOR SWITCH RANGES FROM MERTEN

INTEGRATION EXAMPLES

RTERU – in 1-M



RTERU – in M-Smart



RTERU – in M-Plan



RTERU – in Artec



RTERU – in Antik

| TYPE ALRE | MERTEN RANGE | COLOUR (RAL)/ SURFACE FINISH | ALRE COVER SET | COVER SET ART. NO. | INSERT FRAME 50X50* | EURO/ PG |
|---|------------------|--|--------------------------------|----------------------------|---------------------------|--------------|
|  Standard | RTERU-010.715#00 | 1-M, Atelier-M / M-Smart, M-Pure, M-Plan, M-Creativ | polar white (RAL 9010) glossy | JZ-035.100 (55x55 glossy) | UN990173 | not required |
| | | 1-M, Atelier-M / M-Smart, M-Pure, M-Plan, M-Creativ | polar white (RAL 9010) matt | JZ-035.101 (55x55 matt) | UN990197 | not required |
| | | 1-M, Atelier-M / M-Smart, M-Pure, M-Plan, M-Creativ | active white (RAL 9016) glossy | JZ-035.120 (55x55 glossy) | UN990189 | not required |
| | | D-Life | lotus white (RAL 9016) glossy | JZ-035.420 (70x70, glossy) | UN990151 | not required |
| | | System design: Artec, Antik | polar white (RAL 9010) glossy | JZ-035.000 (50x50 glossy) | UN990169 | 5160 99 |
| | | 1-M, Atelier-M / M-Smart, M-Pure, M-Plan, M-Creativ | white (RAL 1013) glossy | JZ-035.110 (55x55 glossy) | UN990181 | not required |
| | | System design: Artec, Antik | white (RAL 1013) glossy | JZ-035.010 (50x50 glossy) | UN990177 | 5160 94 |

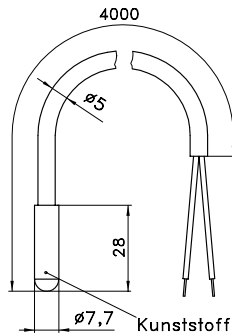


ELECTRONIC FLOOR TEMPERATURE CONTROLLER WITH REMOTE SENSOR (FOR FLOOR HEATING / WALL AND CEILING HEATING) FETR / RTERU

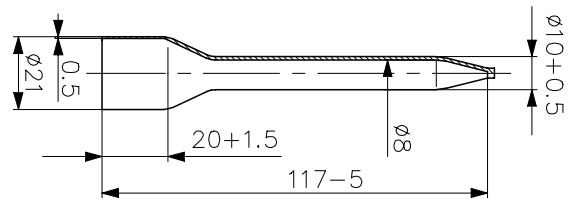
FLUSH-MOUNTED INSTALLATION – DESIGN BERLIN UP

ILLUSTRATIONS

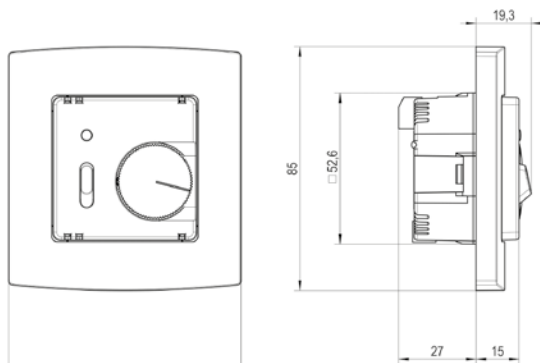
HF-8/4-K2



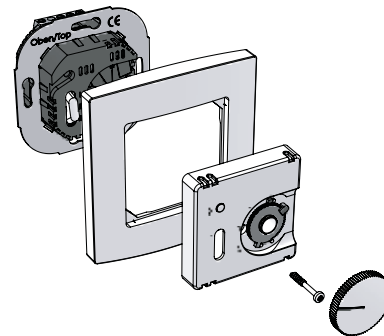
THF



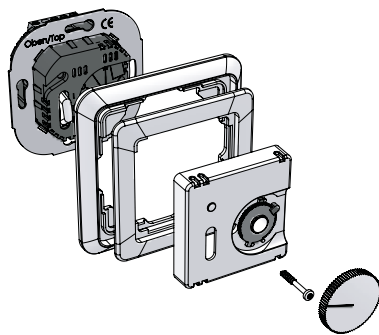
RTERU with alre frame 'Berlin' (#21 types)



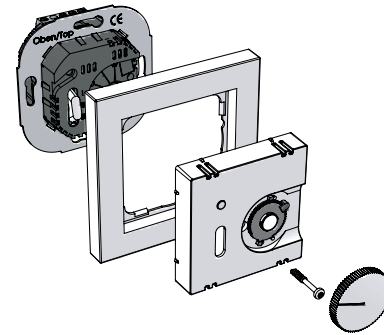
alre frame 'Berlin' (#21 types)



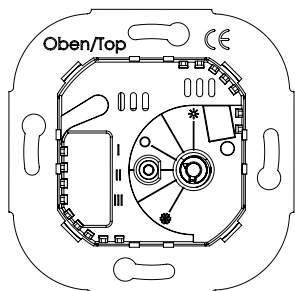
with 50x50 mm insert frame



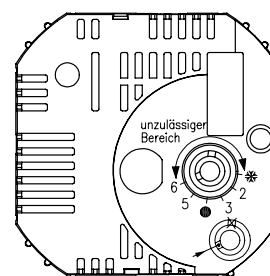
without 55x55 mm insert frame



Internal scale RTERU for temperature control without cover



Contact hazard protection cap with scale (for FETR 101.700 with internal setting – similar to illustration)



**BEAUTY
IN SIMPLICITY.**



alre
Komfort
20°C
23.0°C
Mode Menü Fr



**alre –
simply
control.**

alre

ALRE-IT
REGELTECHNIK GMBH

Richard-Tauber-Damm 10
12277 Berlin, Germany

Phone: +49(0)30 399 84 0
Fax: +49(0)30 391 70 05
E-mail: mail@alre.de

www.alre.de